

FIG.1

EE 型 / EE Core

型号 TYPE	图例 FIG.	尺寸 Dimensions (mm)					
		A	B	C	D	E	F
EE5/5/2A	1	5.25±0.10	2.65±0.10	1.95±0.10	1.35±0.10	3.8min	2.00±0.10
EE6.25/7/2	1	6.25±0.15	3.65±0.05	2+0/-0.1	1.4+0/-0.1	4.8min	2.9+0.15/-0
EE6.3/6.7/1.2	1	6.30±0.30	3.35±0.10	1.20±0.20	1.75±0.20	4.2min	2.10±0.10
EE6.3/6/2M	1	6.3+0/-0.25	2.80±0.20	1.90±0.20	1.35±0.15	3.6min	2.00±0.20
EE8.3/8/2I	1	8.30±0.30	4.20±0.15	2.30±0.15	2+0/-0.3	6.3+0.3/-0.2	3.20±0.15
EE8.3/8/4CQ	1	8.30±0.20	4.00±0.15	3.60±0.15	2+0/-0.3	6.30±0.20	3.00±0.10
EE8.3/8/4F	1	8.30±0.20	4.00±0.10	3.90±0.15	2+0/-0.3	6.30±0.20	3.00±0.10
EE8.4/10.6/3.9A	1	8.40±0.20	5.30±0.15	3.85±0.15	1.85±0.15	6.2min	4.20±0.15
EE9/8/2	1	9.00±0.25	4.00±0.10	1.95±0.05	1.90±0.12	5.20±0.13	2.03+0.25/-0
EE10/11/5J	1	10.20±0.30	5.50±0.20	4.85±0.15	2.50±0.20	7.5min	4.30±0.20
EE10/11/7	1	10.20±0.30	5.50±0.20	7.00±0.20	2.50±0.20	7.5min	4.30±0.20
EE10.6/11.5/5	1	10.6+0.2/-0.15	5.76±0.14	5.05±0.15	2.70±0.10	7.6min	4.40±0.14
EE11.3/11.3/4.7	1	11.2+0.3/-0.2	5.65±0.15	4.70±0.20	2.40±0.20	8.6min	4.35±0.15
EE11/14/3A	1	11.40±0.30	7.20±0.20	2.80±0.15	2.80±0.10	7.8+0.2/-0.15	5.7+0.2/-0.1
EE12/12/6.1	1	12.00±0.25	6.10±0.10	6.10±0.15	4.20±0.15	8.9+0.6/-0	4.00±0.15
EE13/13/6A	1	12.6+0.5/-0.2	6.5+0/-0.4	6+0/-0.5	3.7+0/-0.3	8.8min	4.5+0.3/-0
EE12.5/13/4M	1	12.70±0.40	6.40±0.20	3.60±0.20	3.8+0/-0.3	8.80±0.25	4.5+0.3/-0
EE12.8/24/3C	1	12.80±0.25	12.05±0.15	2.70±0.13	3.65±0.10	8.80±0.25	10.05±0.15
EE12.8/24/3D	1	12.80±0.25	12.05±0.15	3.42±0.13	3.65±0.10	9.15±0.25	10.05±0.15
EE13/13.1/3.8	1	12.95±0.30	6.55±0.10	3.85+0.1/-0.2	3.60±0.15	9.40±0.30	4.5+0.3/-0
EE13/12.3/3.1A	1	13.00±0.30	6.15±0.15	3.10±0.15	3.40±0.20	4.8min	4.35±0.15

C1	Ae	Le	Amin	Ve	AL(±25%)				重量 g /PRS
					TP4	TP4A	TP4W	TPW33	
4.85	2.60	12.63	2.53	32.80	260	265	290	295	0.16
6.78	2.60	17.59	2.53	45.70	220	230	250	260	0.20
6.17	2.31	14.27	2.10	33.00	200	210	230	240	0.18
4.01	3.09	12.39	2.56	38.30	260	265	290	300	0.24
4.59	4.43	20.34	4.25	90.10	340	350	390	410	0.40
2.79	7.00	19.51	6.66	136.60	550	555	620	650	0.82
2.57	7.58	19.51	7.21	147.90	590	600	670	710	0.77
3.22	7.62	24.50	7.12	186.70	510	530	600	630	0.94
3.01	5.14	15.47	3.70	79.50	500	510	570	590	0.54
2.23	11.81	26.30	11.64	310.60	800	810	930	980	1.53
1.54	17.04	26.30	16.80	448.20	1150	1200	1350	1450	2.10
1.93	13.96	26.98	13.63	376.60	920	940	1100	1150	1.80
2.40	11.54	27.75	11.28	320.20	750	770	880	920	1.60
4.21	7.90	33.27	7.84	262.80	460	480	550	580	1.23
1.00	25.20	27.00	25.00	670.00	1680	1750	1980	2100	3.40
1.48	19.97	29.61	18.97	591.20	1200	1250	1420	1500	2.97
2.32	12.79	29.69	12.60	379.80	800	820	940	990	1.89
4.96	10.36	51.40	9.85	532.50	430	440	520	550	2.25
3.92	13.13	51.40	12.48	674.80	540	555	650	700	2.45
2.12	14.15	30.02	13.68	424.80	860	885	1020	1100	2.20
2.65	10.93	28.96	10.54	316.50	680	700	800	850	2.40

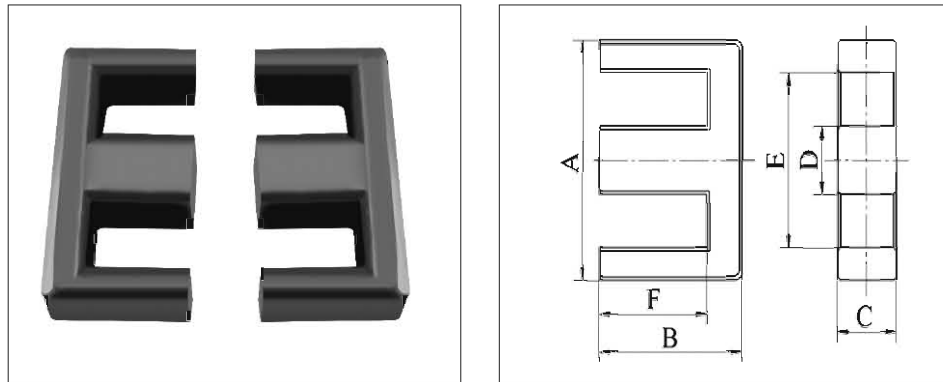


FIG.1

EE 型 / EE Core

型号 TYPE	图例 FIG.	尺寸 Dimensions (mm)					
		A	B	C	D	E	F
EE13/12/6A	1	13.00±0.40	6.05±0.15	5.90±0.30	2.60±0.20	9.8min	4.70±0.20
EE13/12/8A	1	13.00±0.30	6.20±0.20	8.00±0.20	3.00±0.15		4.70±0.20
EE13/13/13	1	13.00±0.30	6.60±0.20	13.0±0.20	3.60±0.20	8.5min	4.75±0.20
EE13.1/13/4	1	13.10±0.50	6.40±0.20	3.60±0.20	3.70±0.20	9.2min	4.65±0.30
EE13.2/24.1/2.7	1	13.20±0.25	12.05±0.15	2.70±0.15	3.65±0.10	9.20±0.25	10.05±0.15
EE13.2/24.1/3.4	1	13.20±0.25	12.05±0.15	3.42±0.13	3.65±0.10	9.20±0.25	10.05±0.15
EE13.5/13/6B	1	13.50±0.35	6.35±0.15	6.00±0.20	2.80±0.20	10.60±0.30	4.75±0.15
EE14/7/5CA	1	14.00±0.30	3.50±0.10	5.00±0.15	3.00±0.30	10.52min	1.9min
EE14.2/11.8/4.4	1	14.20±0.30	5.90±0.10	4.40+0.10/-0.15	4.40±0.10	9.6min	3.70±0.15
EE14.3/11/6.2	1	14.30±0.25	5.50±0.15	6.20±0.15	3.00±0.15	11min	4.15±0.15
EE15/7/10	1	15.00±0.30	3.50±0.20	10.2+0.2/-0.4	3.15±0.15	11.7min	2.40±0.15
EE15/38/6A	1	15.10±0.30	19.20±0.20	5.50±0.20	4.00±0.20	10.70±0.30	16.95±0.20
EE15.8/13.8/21.8	2	15.80±0.40	6.90±0.15	21.80±0.40	3.60±0.20	11.4min	4.90±0.15
EE16.1/11.6/4.5	1	16+0.7/-0.5	5.95+0/-0.3	4.70+0/-0.4	4.7+0/-0.3	11.3+0.6/-0	3.45+0.4/-0
EE16.1/15/4.8	1	16+0.5/-0.3	7.50±0.15	4.80±0.20	4+0.2/-0.4	11.8min	5.40±0.15
EE16.1/16.9/8.2	1	16+0.7/-0.5	8.6+0/-0.3	8.40+0/-0.5	4.70+0/-0.3	11.5+0.6/-0	6+0.4/-0
EE16/10/10	1	16.00±0.40	5.00±0.15	10.2+0.2/-0.4	4.15±0.15	11.6min	3.05±0.25
EE16/13/10	1	16.00±0.30	6.40±0.10	10.2+0.2/-0.3	4.15±0.20	11.7min	
EE16/14/7	1	16.00±0.30	7.15±0.20	6.80±0.20	3.175±0.175	12.5min	5.50±0.20
EE16/15/5E	1	16.00±0.40	7.30±0.30	5.1+0/-0.4	4.00±0.20	11.7min	5.2+0.3/-0
EE16/16/8B	1	16+0.7/-0.5	8.2+0/-0.3	8.4+0/-0.5	4.7+0/-0.3	11.3+0.6/-0	5.7+0.4/-0

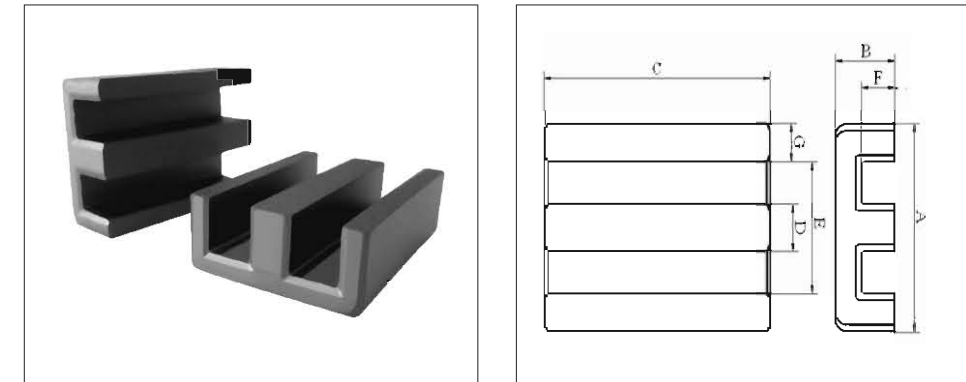


FIG.2

C1	Ae	Le	Amin	Ve	AL(±25%)				重量 g /PRS
					TP4	TP4A	TP4W	TPW33	
1.92	15.90	30.61	15.34	486.80	950	980	1130	1150	1.20
1.27	24.00	30.51	24.00	732.30	1500	1530	1750	1850	4.10
0.60	49.58	30.04	46.80	1489.40	2950	3000	3450	3650	2.52
2.37	12.70	30.10	12.24	382.30	770	790	910	960	1.95
5.02	10.32	51.85	9.85	535.00	420	450	520	550	2.58
3.94	13.13	51.80	12.48	680.10	540	550	650	700	3.40
1.78	17.69	31.47	16.80	556.70	1050	1100	1210	1280	2.80
1.35	15.26	20.61	15.00	314.50	1190	1210	1340	1450	1.40
1.42	19.12	27.17	18.83	519.50	1290	1300	1450	1560	2.60
1.63	17.94	29.27	16.74	525.10	1080	1100	1250	1350	2.80
0.86	25.58	22.08	22.22	564.90	1700	1750	1950	2050	3.30
3.50	23.20	81.14	22.00	1882.40	650	680	810	870	9.30
0.40	83.92	33.85	78.48	2840.60	4540	4680	5400	5700	14.00
1.43	19.97	28.57	19.35	570.50	1250	1290	1480	1560	2.91
1.89	19.14	36.23	18.72	693.40	1050	1080	1250	1300	3.40
1.08	36.19	39.04	35.05	1412.70	1850	1900	2200	2400	7.80
0.65	40.38	26.30	39.39	1062.00	2700	2800	3150	3300	5.46
0.76	41.43	31.66	40.60	1311.80	2460	2550	2900	3100	6.70
1.67	21.92	36.71	21.59	804.70	1200	1220	1420	1500	4.10
1.87	19.08	35.66	18.91	680.40	1070	1100	1260	1350	3.42
1.03	36.33	37.56	35.05	1364.70	1900	1950	2250	2400	6.86

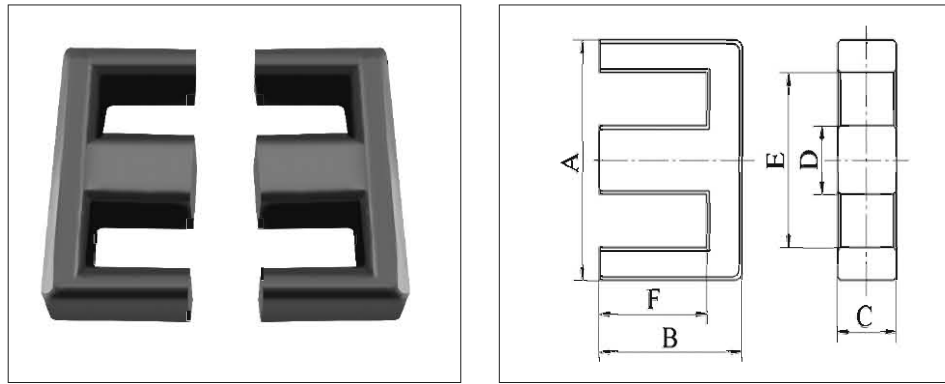


FIG.1

EE 型 / EE Core

型号 TYPE	图例 FIG.	尺寸 Dimensions (mm)					
		A	B	C	D	E	F
EE16/25/5A	1	16.00±0.40	12.40±0.30	5.1+0/-0.4	4.00±0.20	11.7min	10.4±0.3
EE16/9/10E	1	16.00±0.30	4.60±0.10	10.2+0.2/-0.3	4.15±0.20	11.7min	
EE16.1/12.7/7.2A	1	16.10±0.30	6.35+0.2/-0.1	7.20±0.20	4.55±0.20	11.4min	3.85+0.2/-0.1
EE16.1/14.4/4.7	1	16.10±0.30	7.20±0.15	4.9+0/-0.4	4.00±0.20	11.7min	5.2+0.3/-0
EE16.1/21.5/4.2	1	16.10±0.25	10.6+0.3/-0	4.20±0.20	4.4+0/-0.3	11.6min	8.1+0.3/-0
EE16/12/5D	1	16.10±0.60	6.1+0/-0.3	4.7+0/-0.4	4.7+0/-0.3	11.45min	3.80±0.20
EE16/12/7A	1	16.10±0.30	6.00±0.20	7.20±0.20	4.55±0.15	11.3min	3.85±0.15
EE16/16/5D	1	16.10±0.60	8.05±0.15	4.50±0.20	4.55±0.15	11.3min	5.90±0.20
EE16/21/4	1	16.10±0.25	10.5+0.4/-0	4.20±0.20	4.4+0/-0.3	11.6min	8.0+0.4/-0
EE16.2/16.1/12.9A	1	16.20±0.35	8.05±0.20	12.85±0.2	4.55±0.20	11.6min	6.05±0.20
EE16.3/16.1/4.5A	1	16.30±0.30	8.2+0/-0.3	4.65+0/-0.4	4.65+0/-0.3	11.8min	5.9+0.3/-0.1
EE16.4/16.7/7.1	1	16.40±0.30	8.35+0.1/-0.15	7.15+0.15/-0.2	4.55+0.15/-0.2	12.10±0.30	6.15+0.15/-0.1
EE16.7/15/5	1	16.70±0.30	7.30±0.30	5.1+0/-0.4	4.00±0.20	12.4min	5.2+0.3/-0
EE16.8/16.2/8.4	1	16.80±0.40	8.10±0.15	8.40±0.20	4.55±0.15	12.30±0.30	5.90±0.15
EE16.9/17.2/7.4	1	16.90±0.30	8.60±0.10	7.35±0.20	4.75±0.15	11.55±0.30	5.85±0.15
EE17/14.5/7B	1	17.00±0.30	7.25±0.15	7.00±0.20	5.00±0.15	13.00±0.30	5.30±0.15
EE18/53/6	1	18.00±0.50	26.70±0.20	6.00±0.20	5.50±0.15	12.20±0.25	23.35±0.15
EE18/8/10	1	18.00±0.40	4.00±0.10	10.0±0.20	4.00±0.10	13.7min	1.8min
EE18/9/8A	1	18.00±0.40	4.20±0.10	7.90±0.20	4.00±0.20	14.00±0.40	2.20±0.20
EE18.5/19/4.5	1	18.40±0.40	9.50±0.20	4.50±0.20	5.50±0.20	12.7min	6.30±0.20
EE19/16.6/6.5A	1	19.00±0.40	8.30±0.20	6.50±0.20	4.75±0.25	14.2min	5.89±0.20

C1	Ae	Le	Amin	Ve	AL(±25%)				重量 g /PRS
					TP4	TP4A	TP4W	TPW33	
2.88	19.40	55.94	19.11	1085.20	770	800	950	1000	5.27
0.59	41.46	24.47	40.60	1014.40	2900	2970	3400	3500	5.20
0.91	33.31	30.15	31.68	1004.40	2000	2050	2350	2500	4.33
1.92	18.47	35.43	17.39	654.40	980	1000	1170	1250	3.30
2.58	18.45	47.70	17.85	880.00	810	850	980	1050	4.39
1.52	19.28	29.39	18.23	566.80	1160	1200	1400	1450	2.92
0.92	31.97	29.37	30.96	938.90	1960	2050	2300	2460	4.70
1.89	19.95	37.61	19.35	750.30	1050	1070	1260	1320	3.78
2.64	17.80	47.04	17.64	837.20	810	850	980	1050	4.40
0.69	54.86	38.11	51.40	2090.90	2750	2830	3270	3500	10.2
2.01	18.99	38.19	18.25	725.20	980	1000	1170	1250	3.65
1.22	31.75	38.93	30.74	1236.20	1620	1670	1950	2050	9.50
1.87	19.44	36.30	19.11	705.70	1060	1100	1260	1350	3.54
1.02	37.69	38.35	36.96	1445.60	1970	2020	2360	2500	7.20
1.01	37.80	38.35	34.91	1449.60	1850	1910	2210	2400	7.70
1.19	29.82	35.34	28.00	1054.00	1570	1620	1880	2000	5.40
3.19	34.38	109.52	33.00	3765.30	760	790	960	1050	17.30
0.59	40.82	24.08	39.00	983.10	2800	2900	3270	3420	5.00
0.79	31.60	25.08	31.60	792.60	2220	2270	2600	2720	4.08
1.65	25.38	41.88	23.85	1063.00	1200	1230	1450	1550	5.50
1.35	30.18	40.73	28.60	1229.20	1460	1500	1750	1850	6.40

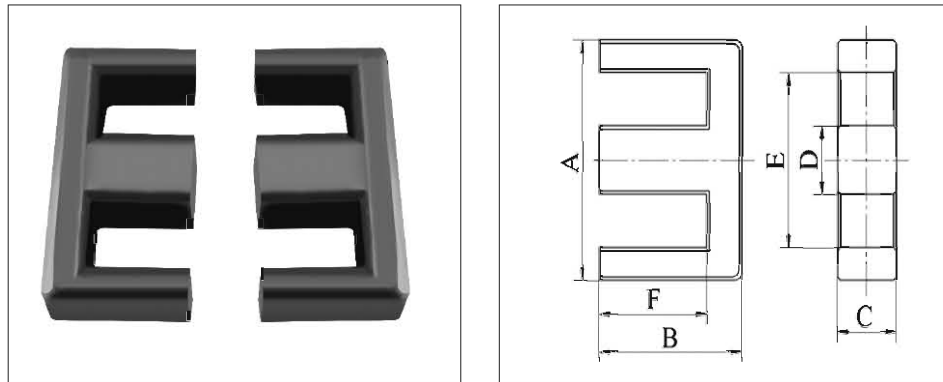


FIG.1

EE 型 / EE Core

型号 TYPE	图例 FIG.	尺寸 Dimensions (mm)					
		A	B	C	D	E	F
EE19/16/5A	1	19.00±0.40	8.00±0.30	5+0.1/-0.5	5+0/-0.5	13.8min	5.6+0.4/-0.1
EE19/16/10	1	19.05±0.40	8.10±0.25	9.50±0.20	4.75±0.25	14.2min	5.69±0.20
EE19.1/16.1/7.6B	1	19.10±0.30	8.025±0.15	7.60±0.25	5+0/-0.5	14.5±0.3	5.725+0.15/-0.1
EE19.1/20.3/5A	1	19.10±0.40	10.15±0.15	5.00±0.20	4.55±0.20	14.5±0.4	7.80±0.15
EE19/27/5A	1	19.20±0.40	13.60±0.30	5.1+0/-0.5	5.1+0/-0.5	14min	11.30±0.30
EE19.5/10/6.5	1	19.50±0.30	5.2+0.15/-0	6.50±0.25	4.75±0.20	15.00±0.30	
EE19/26/5A	1	19.50±0.30	13.30±0.30	5.0+0.2/-0.3	5.1+0/-0.5	14.3min	10.90±0.20
EE20.1/18.5/5.7	1	20+0.8/-0.6	9.45+0/-0.4	5.9+0/-0.5	5.9+0/-0.4	14.1min	6.25+0.4/-0
EE20/18/11N	1	20.0+0.8/-0.7	9.3+0/-0.8	11.0+0/-0.5	5.9+0/-0.4	14.1min	6.1+0.4/-0
EE20/18/6J	1	20.0+0.8/-0.6	9.3+0/-0.4	5.9+0/-0.5	5.9+0/-0.4	14.1+0.6/-0	6.1+0.4/-0
EE20/19.2/12A	1	20+0.4/-0.2	9.60±0.20	12.00±0.20	5.80±0.20	13.6min	6.70±0.20
EE20/20/11M	1	20.00+0.8/-0.6	10.2+0/-0.4	11+0/-0.5	5.9+0/-0.4	14.1+0.6/-0	7.0+0.4/-0
EE20/20/6E	1	20.00±0.60	9.90±0.20	5.65±0.25	5.70±0.20	14.1min	7.20±0.20
EE20/20/9D	1	20.00±0.60	9.90±0.20	8.80±0.25	5.70±0.20	14.1min	7.20±0.20
EE20/25.9/5	1	20.00±0.30	12.95±0.25	5.00±0.20	4.55±0.20	14.3min	10.40±0.15
EE20/27/4A	1	20.00±0.25	13.70±0.25	4.10±0.10	4.55±0.10	14.70±0.25	11.15±0.15
EE20/27/5	1	20.00±0.3	13.70±0.20	4.85±0.25	4.95±0.15	15.1min	11.30±0.20
EE20/28/5R	1	20.00±0.30	13.95±0.25	5.00±0.20	4.55±0.20	14.3min	11.40±0.15
EE20/31/5	1	20.00±0.25	15.45±0.25	5+0.05/-0.2	4.55±0.10	14.70±0.20	12.90±0.15
EE20/33/6A	1	20.00±0.30	16.65±0.25	6.00±0.25	4.55±0.20	14.70±0.30	14.00±0.15
EE20/15/16A	1	20.15±0.35		16.00±0.25	5.70±0.20	14.1min	4.5+0.2/-0.1

C1	Ae	Le	Amin	Ve	AL(±25%)				重量 g /PRS
					TP4	TP4A	TP4W	TPW33	
1.77	22.46	39.71	21.60	891.90	1100	1160	1350	1430	4.40
0.90	44.32	39.97	42.28	1771.30	2170	2250	2600	2800	8.92
1.13	35.42	39.91	34.58	1413.56	1800	1850	2150	2270	6.50
2.10	23.04	48.43	22.75	1115.80	1020	1060	1250	1320	5.40
2.68	23.15	62.13	22.31	1438.30	830	860	1050	1100	7.09
1.01	29.34	29.62	28.60	868.90	1820	1860	2150	2300	4.50
2.53	24.05	60.95	23.76	1465.70	890	920	1100	1180	7.60
1.37	31.63	43.49	31.08	1375.50	1500	1560	1820	1940	6.92
0.74	57.35	42.67	55.36	2446.80	2720	2800	3270	3500	13.00
1.34	32.03	42.77	31.64	1370.00	1560	1600	1880	2000	7.15
0.62	70.81	44.21	69.60	3130.20	3340	3450	4020	4300	15.50
0.76	60.96	46.37	60.20	2826.90	2780	2850	3400	3600	12.60
1.50	30.86	46.32	29.95	1429.40	1380	1450	1700	1800	7.40
0.96	48.06	46.32	46.64	2226.00	2170	2220	2600	2800	11.80
2.39	24.75	59.23	22.75	1466.00	880	900	1070	1150	7.35
3.09	20.17	62.34	18.65	1257.30	680	710	850	900	6.05
2.65	23.75	62.98	23.28	1495.80	850	880	1050	1130	7.60
2.55	24.74	63.20	22.75	1563.70	830	860	1020	1090	8.10
2.86	24.21	69.29	22.41	1677.60	760	790	940	1000	8.70
2.49	29.66	73.78	27.30	2188.30	880	910	1090	1170	10.62
0.39	92.34	36.05	91.20	3329.20	5060	5200	6000	6400	17.00

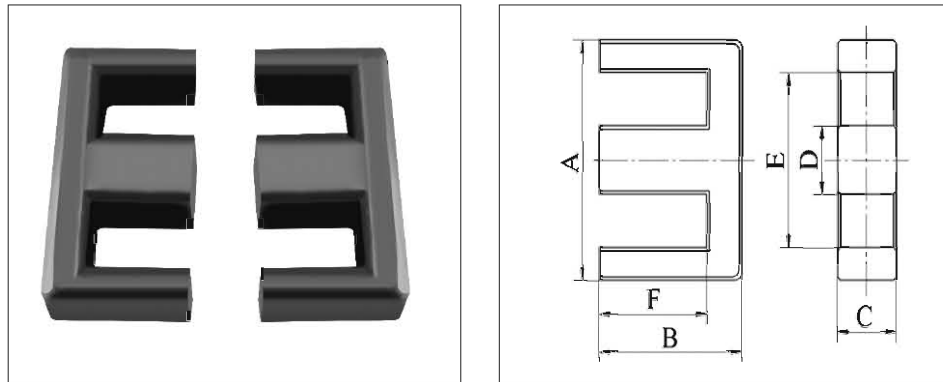


FIG.1

EE 型 / EE Core

型号 TYPE	图例 FIG.	尺寸 Dimensions (mm)					
		A	B	C	D	E	F
EE20.3/13/15A	1	20.3+0.8/-0.4	6.25+0.25/-0	15+0/-0.4	5+0/-0.3	15.4+0.6/-0	3.95±0.15
EE20.4/19.8/5.7	1	20.4+0/-0.8	9.90±0.20	5.7+0.15/-0.2	5.7+0.15/-0.2	14.4+0.4/-0.2	7.2+0.2/-0
EE20/19.8/5.7	1	20.4+0/-0.8	9.90±0.20	5.65±0.25	5.70±0.20	14.2min	7.20±0.20
EE20.5/12.8/14.8	1	20.50±0.60		15+0/-0.4	5+0/-0.3	15.70±0.30	
EE20.5/19.8/5.7	1	20.50±0.25	9.90±0.20	5.65±0.25	5.7±0.2	15.00±0.25	7.20±0.20
EE20.5/21.6/7	1	20.5+0.4/-0.5	10.80±0.20	7.00±0.30	5.00±0.30	14.7min	7.1+0.2/-0.15
EE20/21/7B	1	20.50±0.50	10.70±0.30	7.00±0.30	5.00±0.30	14.7min	7.00±0.30
EE21/28/6	1	20.50±0.40	13.90±0.20	6.35±0.15	6.35±0.15	14.35±0.25	10.70±0.20
EE21/20/6A	1	21.00±0.50	9.90±0.20	5.65±0.30	5.70±0.20	15.1min	7.20±0.20
EE21/21.1/7.1	1	21.00±0.40	10.55±0.20	7.05±0.20	5.30±0.20	15.6min	7.05±0.20
EE21.8/8.6/15.8	1	21.80±0.40	4.30±0.10	15.80±0.30	5.00±0.10	16.80±0.40	1.80±0.10
EE22/11/16A	3	21.80±0.40	5.70±0.20	15.80±0.35	5.00±0.20	16.80±0.40	3.20±0.20
EE22/17/6A	1	22.00±0.40	8.45±0.50	5.70±0.20	5.70±0.20	16min	5.80±0.20
EE22/18/6Q	1	22.00±0.60	9.10±0.20	5.70±0.30	5.75±0.25	15.6min	5.5+0.1/-0.3
EE22/19.5/9.6A	1	22.00±0.40	9.75±0.20	9.60±0.20	5.70±0.20	15.6min	5.75±0.15
EE22/19/6J	1	22.00±0.40	9.65±0.20	6.0+0/-0.5	6.0+0/-0.5	16.00±0.40	5.65±0.15
EE22/20/6B	1	22.00±0.40	10.0+0.6/-0	5.50±0.30	4.00±0.20	17.0min	7.5+0.4/-0
EE22/21/6	1	22+0/-0.6	10.60±0.25	6+0/-0.5	6+0/-0.5	15.6min	6.6+0.4/-0
EE22/24/6A	1	22.00±0.60	11.90±0.25	6.0+0/-0.5	6.0+0/-0.5	15.6min	7.9+0.4/-0
EE22/30/6D	1	22.00±0.60	15.00±0.30	6.0+0/-0.5	6.0+0/-0.5	15.6min	18.2+0.2/-0.15
EE22.4/44/5Y	1	22.40±0.30	22.20±0.30	4.70±0.20	5.8+0.15/-0.2	16.00±0.20	11.00±0.30

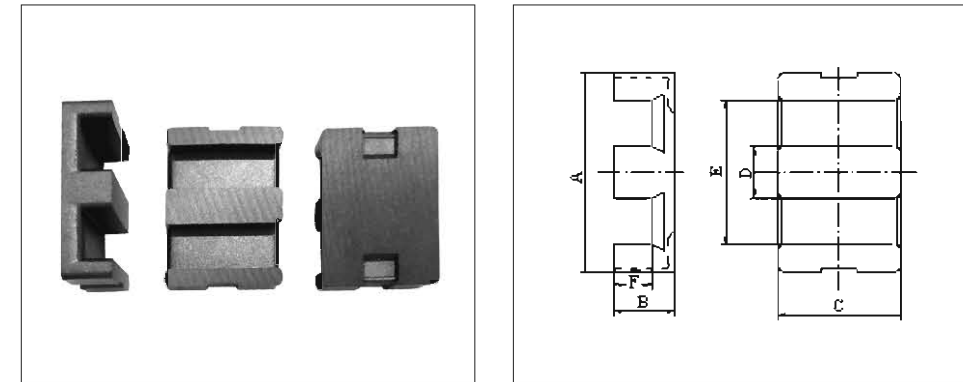


FIG.3

C1	Ae	Le	Amin	Ve	AL(±25%)				重量 g /PRS
					TP4	TP4A	TP4W	TPW33	
0.48	71.56	34.25	71.04	2450.70	4080	4200	4850	5150	6.15
1.51	30.85	46.47	29.38	1433.60	1360	1400	1650	1750	7.30
1.49	31.08	46.27	30.51	1438.20	1420	1460	1700	1820	7.42
0.48	71.56	34.25	71.04	2450.70	4080	4200	4850	5140	12.44
1.49	31.29	46.72	30.51	1461.90	1400	1450	1700	1810	7.33
1.21	39.19	47.60	35.00	1865.40	1600	1650	1920	2050	9.91
1.20	39.29	47.09	35.00	1850.20	1600	1650	1950	2070	9.70
1.52	39.87	60.72	39.05	2420.90	1470	1500	1800	1930	11.96
1.52	31.07	47.27	30.51	1468.70	1400	1450	1680	1800	7.29
1.22	39.20	47.71	35.25	1870.20	1600	1650	1930	2050	8.00
0.34	79.00	26.85	79.00	2121.40	5300	5500	6230	6560	11.00
0.41	79.00	32.45	79.00	2563.90	4700	4840	5580	6000	12.70
1.35	31.45	42.47	30.21	1335.60	1490	1540	1800	1920	7.70
1.18	35.58	41.97	32.77	1493.30	1630	1680	1960	2090	6.80
0.71	61.45	43.48	54.72	2671.70	2650	2740	3200	3400	13.20
1.17	36.97	43.08	33.06	1592.60	1620	1670	1945	2070	8.47
2.06	24.79	51.14	22.00	1267.90	950	980	1150	1230	7.10
1.32	35.71	47.31	33.06	1689.30	1500	1550	1830	1950	8.85
1.49	35.46	52.77	33.06	1871.20	1390	1430	1690	1800	9.71
1.83	35.28	64.40	33.06	2272.00	1200	1230	1460	1570	11.70
3.15	29.58	93.20	27.26	2757.00	720	750	900	970	14.10

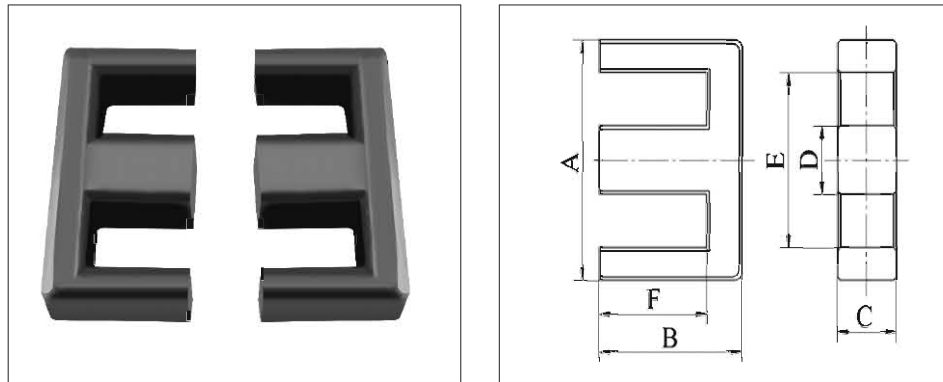


FIG.1

EE 型 / EE Core

型号 TYPE	图例 FIG.	尺寸 Dimensions (mm)					
		A	B	C	D	E	F
EE22.6/24.6/21.8A	1	22.6±0.4	12.30±0.20	21.80±0.20	6.60±0.20	14.9min	8.00±0.20
EE25.3/25.6/10.8	1	25+0.8/-0.2	12.65min	11+0/-0.5	7.5+0/-0.5	18min	9.05min
EE25/14/15E	1	25+0.8/-0.7	7.3+0/-0.35	15.25+0/-0.5	7.5+0/-0.4	17.5+0.8/-0	3.55+0/-0.35
EE25/16/11A	1	25+0.8/-0.7	8+0/-0.5	11+0/-0.6	7.5+0/-0.5	17.5+0.8/-0	3.9+0.5/-0
EE25/18/11	1	25.0+0/-0.5	9.0+0/-0.25	10.5+0/-0.4	7.80±0.20	17.0min	5.0+0/-0.25
EE25/18/11B	1	25.0+0.8/-0.7	9.3+0/-0.5	11.0+0/-0.6	7.5+0/-0.5	17.5+0.8/-0	5.2+0.5/-0
EE25/26/11C	1	25.0+0.8/-0.7	12.8+0/-0.5	11.0+0/-0.5	7.5+0/-0.5	17.5+0.8/-0	8.7+0.5/-0
EE25/26/7P	1	25.0+0.8/-0.7	12.8+0/-0.5	7.5+0/-0.6	7.5+0/-0.5	17.5+0.8/-0	8.7+0.5/-0
EE25.1/18.3/10.8D	1	25.05±0.75	9.15±0.25	10.75±0.30	7.25±0.25	17.5min	5.55±0.25
EE25.1/24/10.8	1	25.05±0.75	12.00±0.20	10.75±0.30	7.25±0.25	17.5min	8.40±0.20
EE25.1/25.1/7.2G	1	25.05±0.4	12.55±0.15	7.20±0.15	18.05±0.40	7.25±0.15	8.95±0.20
EE25.1/25.5/10.7	1	25.05±0.4	12.75±0.20	10.75+0.1/-0.3	7.25±0.25	17.95+0.4/-0.35	9.15±0.20
EE25.1/25.6/7.2A	1	25.05±0.4	12.80±0.20	7.20±0.30	7.25±0.25	17.6min	9.20±0.20
EE25/14/17D	1	25.05±0.4	7.10±0.20	17.3+0/-0.5	7.5+0/-0.5	17.6+0.6/-0	3.65±0.15
EE25/15/15	1	25.05±0.4	7.40±0.20	15.3+0/-0.5	7.5+0/-0.5	17.6+0.6/-0	3.95±0.15
EE25/18/11F	1	25.05±0.45	9.15±0.25	10.75±0.3	7.25±0.25	17.5min	5.55±0.15
EE25/18/7	1	25.05±0.75	9.25±0.25	7.25±0.30	7.25±0.25	17.9±0.4	5.65±0.25
EE25/21/7A	1	25.05±0.75	10.50±0.25	7.20±0.30	7.25±0.25	17.5min	6.95±0.25
EE25/25/7A	1	25.05±0.75	12.55±0.25	7.20±0.30	7.25±0.25	17.7min	8.95±0.25
EE25/25/9D	1	25.05±0.75	12.55min	8.85±0.25	7.25±0.25	17.5min	9min
EE25/26/11F	1	25.05±0.75	12.55±0.25	10.75±0.30	7.25±0.25	17.5min	8.95±0.25

C1	Ae	Le	Amin	Ve	AL(±25%)				重量 g /PRS
					TP4	TP4A	TP4W	TPW33	
0.33	159.46	52.48	144.97	8368.30	6100	6300	7440	7960	43.20
0.77	76.79	59.09	75.25	4537.30	2900	3000	3540	3800	22.79
0.32	110.21	35.65	107.25	3929.40	6000	6170	7130	7580	21.00
0.50	77.04	38.56	76.51	2970.44	4050	4170	4840	5150	7.50
0.51	80.92	41.54	79.83	3361.00	4000	4130	4810	5120	16.90
0.56	77.81	43.91	76.51	3416.60	3680	3800	4440	4740	17.30
0.75	77.39	57.76	76.86	4469.90	3000	3100	3680	3950	22.00
1.11	51.84	57.76	51.48	2994.20	2010	2100	2470	2650	15.50
0.57	77.40	44.16	76.86	3417.80	3700	3800	4450	4740	17.50
0.73	75.96	55.73	73.10	4233.20	2950	3050	3600	3850	21.40
1.15	51.43	57.84	50.40	2974.60	1980	2040	2400	2600	15.00
0.77	76.36	58.60	75.30	4474.80	2900	3000	3570	3830	22.40
1.14	51.57	58.81	50.76	3033.00	1960	2030	2400	2570	15.00
0.30	120.40	36.31	117.64	4371.80	6500	6690	7740	8200	23.00
0.35	106.34	37.51	103.85	3989.00	5600	5770	6700	7100	20.00
0.57	77.40	44.16	76.86	3417.80	3690	3800	4450	4740	17.50
0.85	52.20	44.56	51.84	2326.00	2470	2550	3000	3180	13.30
0.98	50.70	49.86	48.96	2528.00	2150	2210	2600	2780	13.10
1.14	50.72	57.95	48.60	2939.00	1900	1970	2320	2480	14.90
0.93	62.69	58.51	60.62	3667.90	2350	2430	2880	3100	19.00
0.76	75.94	57.93	73.10	4398.90	2850	2950	3500	3750	22.80

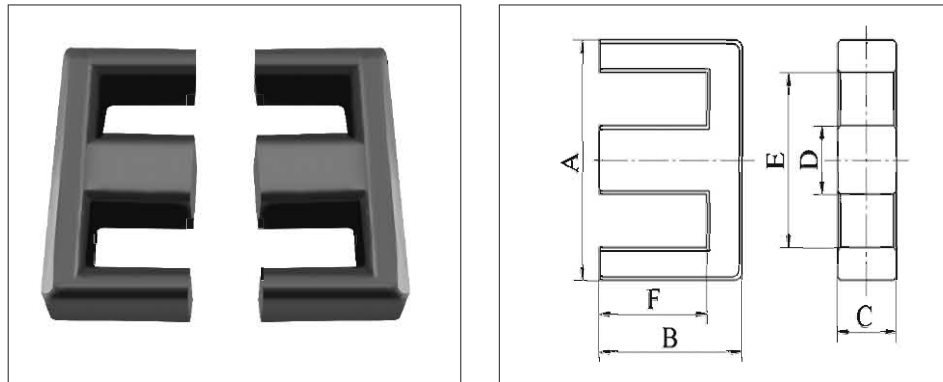


FIG.1

EE 型 / EE Core

型号 TYPE	图例 FIG.	尺寸 Dimensions (mm)					
		A	B	C	D	E	F
EE25/26/7B	1	25.05±0.75	12.55±0.25	7.20±0.30	7.25±0.25	17.5min	8.95±0.25
EE25/20/6BP	1	25.20±0.70	9.35+0.95/-0	6.2+0.45/-0.4	6.2+0.45/-0.6	18.6min	6.90±0.30
EE25.3/25.1/10.8	1	25.30±0.70	12.55±0.25	10.75±0.25	7.20±0.20	17.7min	8.95±0.25
EE25.3/49/5B	1	25.30±0.50	24.55±0.25	5.00±0.20	7.00±0.20	18min	21.00±0.25
EE25/19/7	1	25.30±0.40	9.60±0.20	7.00±0.20	6.50±0.25	18.5min	6.60±0.20
EE25.4/32.4/10.8A	1	25.40±0.40	16.20±0.15	10.75±0.20	7.25±0.25	18.2±0.4	12.60±0.15
EE25.4/32/9B	1	25.40±0.40	16.00±0.20	9.00±0.25	6.35±0.20	19.25±0.45	12.85±0.25
EE25/19/6H	1	25.40±0.50	9.50±0.30	6.40±0.30	6.40±0.30	18.6min	6.50±0.30
EE25/19/7B	1	25.40±0.60	9.6+0.3/-0.1	6.75±0.25	6.35±0.25	18.4min	6.5+0.3/-0.1
EE25/20/6AG	1	25.40±0.50	10.00±0.30	6.40±0.30	6.40±0.30	18.6min	6.80±0.30
EE25/20/7M	1	25.40±0.60	9.8+0.2/-0.1	6.75±0.20	6.35±0.25	18.4min	6.7+0.3/-0.1
EE25/29/6	1	25.40±0.50	14.70±0.30	6.35±0.25	6.35±0.25	18.8min	11.50±0.30
EE25/32/6A	1	25.40±0.50	15.80±0.30	6.40±0.30	6.40±0.30	18.7min	12.80±0.30
EE25/34/6B	1	25.40±0.50	16.90±0.30	6.35±0.25	6.35±0.25	18.6min	12.83±0.25
EE25/26/7AY	1	25.60±0.50	12.65±0.25	7.20±0.20	7.20±0.20	18min	8.95±0.25
EE26/20/7	1	25.90±0.40	9.80±0.20	6.5+0.2/-0.3	6.50±0.20	19min	6.85±0.15
EE26/25.3/7.2	1	26.00±0.70	12.65±0.25	7.20±0.20	7.35±0.30	18.5min	8.95±0.25
EE26/14/10C	1	26.1+0/-0.6	6.90±0.20	9.75+0.5/-0	5.70±0.20	20.6+0/-0.6	4.05±0.20
EE26/14/15F	4	26.1+0/-0.6	6.85±0.20	15.00±0.25	5.70±0.20	20.6+0/-0.6	4.00±0.20
EE26/14/17	4	26.1+0/-0.6	6.75±0.25	17.00±0.25	7.20±0.20	19.00±0.40	3.25±0.25
EE27/35/8A	1	26.50±0.50	17.30±0.30	8.00±0.30	7.00±0.30	18.5min	13.50±0.30

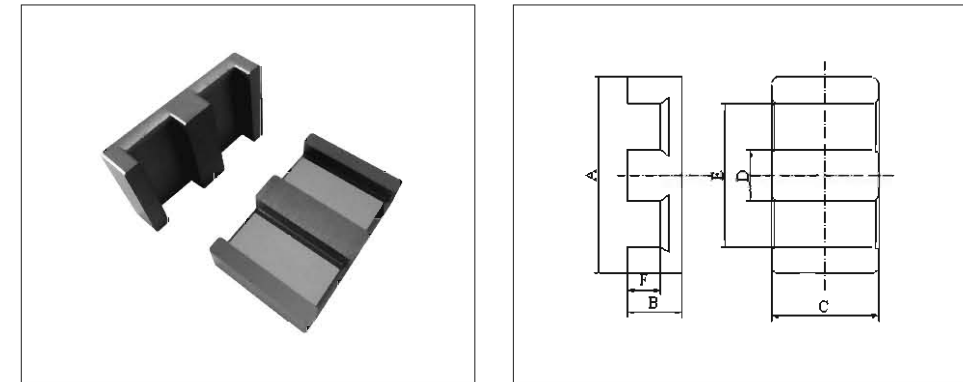


FIG.4

C1	Ae	Le	Amin	Ve	AL(±25%)				重量 g /PRS
					TP4	TP4A	TP4W	TPW33	
1.14	50.86	57.93	48.96	2946.10	1900	1980	2340	2500	15.20
1.35	37.11	50.08	36.51	1858.50	1600	1650	1940	2070	9.70
0.76	76.20	58.17	74.18	4432.60	2900	3000	3530	3780	22.10
3.07	34.64	106.47	34.00	3688.10	800	830	1000	1100	18.20
1.10	43.94	48.53	42.00	2132.50	1880	1940	2300	2430	10.60
0.94	77.61	72.68	77.40	5640.70	2520	2900	3120	3350	28.17
1.32	56.34	74.14	55.35	4177.20	1780	1840	2200	2370	19.10
1.22	39.78	48.37	38.40	1924.20	1720	1780	2090	2230	10.00
1.15	42.59	48.92	41.85	2083.50	1860	1920	2250	2400	10.70
1.22	40.75	49.91	40.32	2033.90	1770	1820	2150	2290	10.00
1.17	42.34	49.63	41.17	2101.30	1800	1870	2200	2350	10.70
1.73	39.79	68.84	38.73	2739.00	1320	1370	1620	1750	15.10
1.85	39.82	73.62	38.40	2931.60	1240	1290	1530	1650	14.59
1.77	42.21	74.79	40.00	3157.10	1280	1300	1570	1700	16.20
1.13	51.98	58.52	51.12	3041.60	1980	2050	2430	2600	15.10
1.24	40.41	49.95	38.06	2018.60	1660	1720	2030	2160	10.50
1.14	51.50	58.94	48.96	3035.40	1890	1950	2300	2500	15.30
0.70	56.46	39.67	55.00	2239.60	2850	2940	3400	3630	11.03
0.47	84.69	39.47	82.50	3342.50	4300	4430	5140	5470	16.60
0.30	118.92	35.78	115.60	4255.20	6440	6630	7680	8150	22.10
1.33	58.50	77.57	56.00	4537.80	1730	1790	2150	2300	23.30

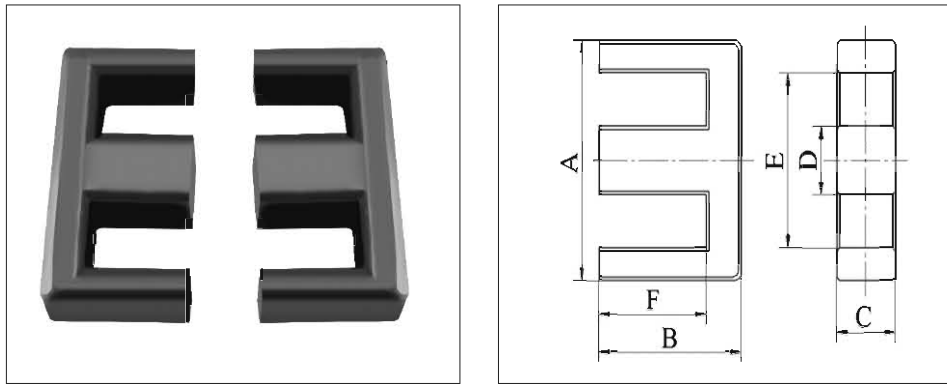


FIG.1

EE 型 / EE Core

型号 TYPE	图例 FIG.	尺寸 Dimensions (mm)					
		A	B	C	D	E	F
EE27.3/31/11.7	1	27.30±0.40	15.30±0.30	11.7+0.15/-0.2	7.7+0.15/-0.2	19.3min	11.4±0.25
EE28/25/9B	1	27.94±0.40	12.36±0.20	8.89±0.25	8.89±0.25	19.94±0.70	8.35±0.20
EE28/20/11	1	28.00±0.40	10.0+0.4/-0	11.0+0/-0.6	7.5+0/-0.5	18.6min	6.0+0.4/-0
EE28/22/11A	1	28.00±0.50	10.7+0.15/-0.1	12.00±0.30	7.20±0.30	18.6min	6.2+0.15/-0.1
EE28/22/11E	1	28.00±0.50	11.00±0.30	10.60±0.30	7.20±0.30	18.6min	6.40±0.30
EE28/23.5/11A	1	28.00±0.40	11.75±0.20	10.70±0.25	7.2+0.3/-0.25	19.0+0.4/-0.2	7.45±0.20
EE28/35/10.7	1	28.00±0.60	17.50±0.30	10.7±0.3	7.20±0.30	18.5min	12.80±0.30
EE28.4/28.4/10	1	28.40±0.40	14.20±0.20	10.00±0.20	7.20±0.30	20.40±0.40	9.70±0.20
EE28.4/41/12B	1	28.40±0.40	20.40±0.30	11.5+0.1/-0.4	8.2+0.15/-0.2	20.40±0.40	16.40±0.25
EE28.5/20.4/11	1	28.50±0.50	10.20±0.20	11.00±0.30	7.50±0.30	20.50±0.50	5.90±0.20
EE28/21/11F	1	28.50±0.50	10.50±0.30	11.00±0.30	7.50±0.30	20.50±0.50	6.30±0.30
EE30/26/11A	1	30.00±0.50	13.30±0.30	10.70±0.30	10.70±0.30	19.6min	8.30±0.30
EE30/27/11	1	30.00±0.50	13.60±0.30	10.70±0.30	10.70±0.30	19.6min	8.60±0.30
EE30/30/7L	1	30.00±0.50	15.00±0.30	7.00±0.30	6.90±0.30	19.5min	10.20±0.30
EE30.2/31.8/10.5	1	30.15±0.35	15.90±0.10	10.50±0.20	10.50±0.20	19.9min	10.90±0.15
EE30.2/27.2/10.7	1	30.20±0.50	13.60±0.30	10.70±0.30	10.70±0.30	19.8min	8.60±0.30
EE30/26/11N	1	30.2+0.4/-0.5	13.30±0.30	10.70±0.30	10.70±0.30	19.8min	8.30±0.30
EE30/30/7AA	1	30.20±0.80	15.00±0.30	7.00±0.30	6.90±0.30	19.3min	9.7min
EE30.5/29/7	1	30.50±0.40	14.50±0.20	7.00±0.20	6.90±0.15	20.25±0.45	9.70±0.20
EE30/30/12.3	1	30.50±0.50	15.00±0.30	12.30±0.25	6.95±0.25	20.3±0.5	10.20±0.30
EE30/30/7B	1	30.50±0.50	15.00±0.30	7.00±0.30	6.90±0.30	19.5min	10.20±0.30

C1	Ae	Le	Amin	Ve	AL(±25%)				重量 g /PRS
					TP4	TP4A	TP4W	TPW33	
0.78	89.91	69.73	88.90	6269.30	3000	3100	3670	3980	32.00
0.78	73.62	57.26	71.12	4215.60	2800	2890	3430	3670	20.75
0.57	85.37	48.89	77.57	4173.90	3450	3560	4190	4470	21.73
0.50	99.12	49.73	86.40	4929.50	3790	3900	4600	4900	25.20
0.57	88.09	50.53	76.32	4451.00	3300	3400	4000	4300	24.00
0.63	86.94	54.34	77.31	4724.40	3180	3280	3870	4150	24.30
0.87	87.60	75.88	77.04	6647.10	2420	2500	3000	3230	33.00
0.82	79.22	64.62	72.00	5119.00	2580	2670	3180	3400	26.40
0.99	91.59	90.45	90.80	8284.10	2460	2550	3070	3300	42.00
0.56	88.49	49.32	82.50	4364.10	3640	3760	4420	4720	22.00
0.58	87.67	50.80	82.50	4453.20	3560	3690	4330	4630	23.00
0.54	109.04	58.48	105.93	6376.80	4100	4240	5020	5380	33.00
0.55	109.05	59.68	105.93	6508.20	4040	4170	4950	5300	33.40
1.13	58.45	66.23	48.30	3871.10	1700	1750	2090	2240	22.00
0.65	106.43	69.17	103.95	7362.00	3520	3650	4340	4670	36.00
0.55	109.05	59.88	105.93	6530.00	4030	4170	4940	5300	33.50
0.54	109.03	58.63	105.93	6392.50	4100	4230	5000	5370	32.70
1.11	59.17	65.67	48.30	3885.60	1700	1760	2100	2250	20.20
1.10	58.88	64.48	48.30	3796.60	1730	1790	2130	2280	21.20
0.64	103.60	66.51	85.49	6890.90	3000	3090	3680	3950	37.00
1.12	59.03	66.07	48.30	3900.30	1700	1750	2090	2250	21.80

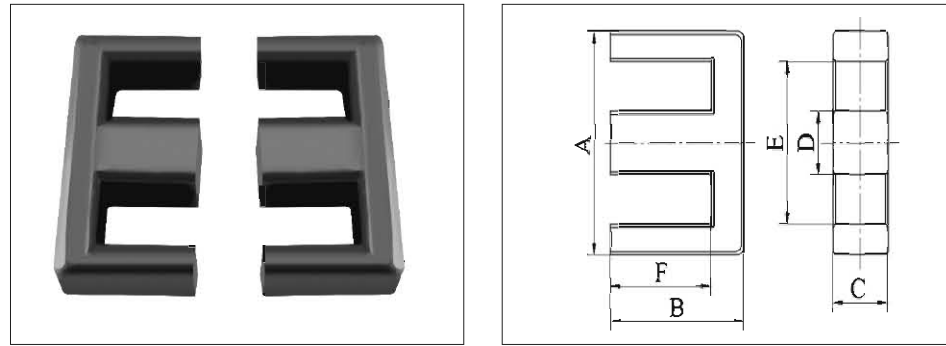


FIG.1

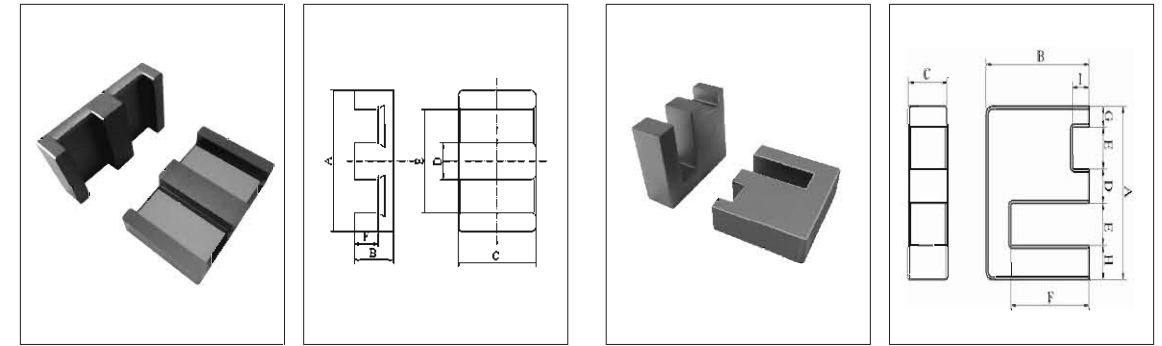


FIG.4

FIG.5

EE 型 / EE Core

型号 TYPE	图例 FIG.	尺寸 Dimensions (mm)					
		A	B	C	D	E	F
EE31/26/9	1	30.70±0.60	13.20±0.20	9.40±0.30	9.40±0.25	21.8min	8.90±0.20
EE31/36/9	1	30.70±0.60	18.50±0.20	9.40±0.30	9.40±0.30	21.6min	14.00±0.20
EE31.2/37/9.4	1	31.20±0.40	18.50±0.20	9.40±0.30	9.40±0.30	22.5min	14.00±0.20
EE31.7/54/9.9A	5	31.70±0.50	27.00±0.20	9.90±0.20	6.30±0.20	7.65±0.2	20.50±0.20
EE32/13/20	4	31.75±0.75	6.35±0.20	20.32±0.40	6.35±0.20	24.5min	3.18±0.25
EE32/17/20	4	31.75±0.75	8.70±0.20	20.32±0.40	6.35±0.20	25.0min	5.53±0.25
EE32/28/20	4	31.75±0.75	14.10±0.20	20.32±0.40	6.35±0.20	25min	10.92±0.25
EE32/24/9	1	32.0+0.9/-0.7	12.1+0.3/-0	9.5+0/-0.7	9.5+0/-0.6	22.7+1/-0	7.2+0.6/-0
EE32/32/11B	1	32.0+0.9/-0.7	16.40±0.30	11.0+0/-0.7	9.20±0.30	22.7min	11.2+0.6/-0
EE32/32/90	1	32+0.9/-0.7	16.10±0.30	9.5+0/-0.7	9.5+0/-0.6	22.7min	11.75±0.3
EE32.4/15.2/14	1	32.40±0.50	7.60±0.25	14.00±0.30	4.90±0.25	27.5±0.5	5.10±0.25
EE32/32/11I	1	32.7+0/-1.2	16.4+0/-0.6	11.0+0/-0.7	9.5+0/-0.6	22.7+1.0/-0	11.2+0.85/-0
EE33/28/13C	1	33.00±0.60	14.00±0.30	13.0+0/-0.6	9.70±0.30	22.8min	9.60±0.30
EE33/39/13	1	33.00±0.30	14.80±0.10	12.70±0.30	9.70±0.20	23.2min	10.00±0.20
EE33/48/13	1	33.00±0.60	24+0.5/-0	13+0/-0.5	9.70±0.30	23.8min	19+0.5/-0
EE33/28/13H	1	33.20±0.70	14.15±0.25	12.70±0.30	9.80±0.30	23.7min	9.65±0.25
EE33.6/9.4/19.5A	4	33.60±0.50	4.70±0.15	19.50±0.40	5.00±0.20	28.6±0.5	2.55±0.15
EE33.8/28.2/12.8	1	33.80±0.50	14.10±0.20	12.80±0.20	9.70±0.20	25.1±0.5	9.80±0.20
EE35/28/12	1	34.40±0.50	13.90±0.30	11.80±0.40	9.20±0.30	25.4min	9.95±0.25
EE35/28/10D	1	34.50±1.00	14.35±0.35	9.50±0.40	9.40±0.30	25.4min	9.70±0.30
EE35/29/9	1	34.50±1.00	14.50±0.30	9.20±0.30	9.40±0.30	24.8min	9.90±0.30

C1	Ae	Le	Amin	Ve	AL(±25%)				重量 g / PRS
					TP4	TP4A	TP4W	TPW33	
0.76	82.05	62.15	78.02	5099.40	2890	3000	3530	3800	26.30
0.99	83.94	82.75	79.90	6945.70	2340	2420	2900	3130	35.70
1.00	83.08	83.28	78.02	6919.20	2270	2350	2820	3040	26.00
0.32	129.54	41.64	128.83	5394.30	6450.	6650	7750	8250	27.40
0.40	126.93	51.32	121.92	6514.20	5230	5400	6350	6790	33.80
0.70	84.21	58.54	81.44	4929.40	3150	3260	3860	4140	30.60
0.77	97.12	74.82	91.59	7266.60	2910	3000	3600	3880	34.76
0.93	80.42	75.10	77.78	6039.70	2460	2550	3050	3280	32.00
0.73	69.32	50.77	68.60	3519.40	2970	3060	3600	3850	17.00
0.78	96.04	74.62	94.79	7166.80	3020	3120	3730	4020	36.00
0.56	118.83	66.50	111.76	7901.80	3900	4040	4800	5170	40.60
0.71	121.9	86.87	120.65	10589.90	3390	3500	4200	4550	55.00
0.90	118.02	106.33	109.65	12548.60	2590	2680	3240	3500	62.00
0.58	116.45	67.44	111.76	7853.40	3870	4000	4760	5100	40.10
0.47	87.50	41.00	83.50	3593.00	4220	4350	5070	5400	17.50
0.60	114.69	68.41	110.08	7845.80	3760	3890	4640	5000	39.60
0.69	100.05	69.44	93.22	6947.10	3150	3260	3890	4170	35.00
0.83	84.25	69.68	76.95	5870.60	2593	2684	3200	3430	29.98
0.84	83.57	70.26	80.04	5872.00	2670	2770	3300	3550	30.00

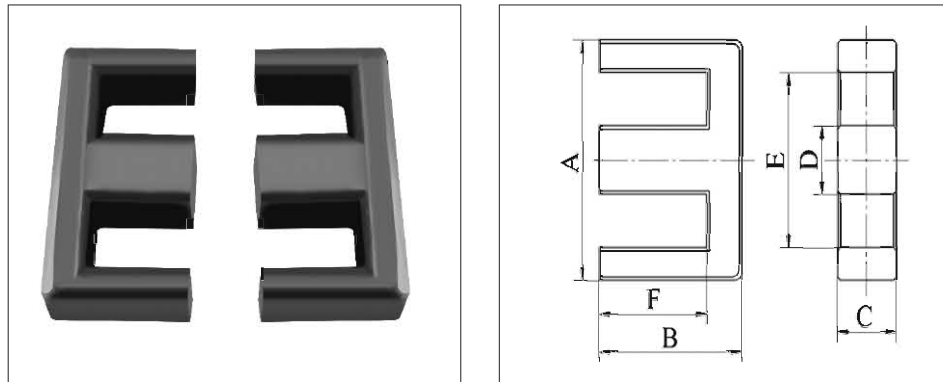


FIG.1

EE 型 / EE Core

型号 TYPE	图例 FIG.	尺寸 Dimensions (mm)					
		A	B	C	D	E	F
EE35/57/9A	1	34.50±0.45	28.60±0.20	9.15±0.25	10.20±0.35	24.15min	23.60±0.20
EE34.6/28.8/9.3A	1	34.60±0.6		9.30±0.25	9.40±0.25	25.4min	
EE35/28/10B	1	34.90±0.70	14.40±0.25	9.53±0.25	9.40±0.25	25.0min	9.80±0.25
EE35/18/40	1	35.00±0.60	8.80±0.20	40.0±1.00	7.00±0.20	28.5±0.5	5.00±0.30
EE35/35/10	1	35.00±0.60	17.50±0.30	10.00±0.30	10.00±0.30	24.5min	12.50±0.30
EE35/40/10	1	35.00±0.40	24.40±0.10	10.00±0.30	10.00±0.30	24.5min	18.40±0.20
EE35.6/39/10A	1	35.60±0.50	19.60±0.20	10.00±0.20	10.50±0.20	25.40±0.40	14.25±0.20
EE36/36/11B	1	36+1/-0.7	18+0/-0.4	11.5+0/-0.5	10.2+0/-0.5	24.5+1.2/-0	12+0.6/-0
EE36/36/15C	1	36+1/-0.7	18+0/-0.4	15.2+0/-0.7	10.2+0/-0.5	24.5min	12min
EE37.7/14.4/16	1	37.7+0.6/-0.4	7.20±0.20	16.00±0.35	4.90±0.25	32.5+0.6/-0.4	4.70±0.20
EE38/16/25A	4	38.10±0.76	8.26±0.25	25.40±0.51	7.6±0.2	30.23min	4.45±0.25
EE40/35/12B	1	40.00±0.70	17.30±0.30	12.0+0/-0.6	12.0+0/-0.6	26.8min	10.30±0.30
EE40/35/12C	1	40.00±0.70	17.30±0.30	11.8+0/-0.5	12.0+0/-0.5	26.8min	10.3+0.3/-0.2
EE40/43.2/11.7A	1	40.00±0.60	26.40±0.30	11.70±0.30	11.70±0.350	27min	20.30±0.30
EE40/44.8/11.2	1	40.00±0.80	27.2+0.6/-0	11.5+0/-0.6	12+0/-0.6	27.5min	20.2+0.6/-0
EE40/45/12	1	40.0+0.9/-0.5	22.30±0.30	12.0+0/-0.7	12.0+0/-0.7	26.8min	15.30±0.30
EE41/34/13A	1	40.60±0.60	16.50±0.30	12.50±0.30	12.50±0.30	28.6min	10.50±0.30
EE42/19/15C	1	42+1/-0.2	9.50±0.30	15.0+0.2/-0.4	12.2+0/-0.5	29.5+1.2/-0	3.80±0.30
EE42/26/15	1	42.0+1.0/-0.2	13.20±0.20	15.0+0.2/-0.4	12.2+0/-0.5	29.5+1.2/-0	7.40±0.30
EE42/30/15	1	42+1/-0.7	15.00±0.20	14.90±0.30	12.10±0.40	30.10±0.60	9.2+0.3/-0.4
EE42/30/20	1	42.0+1.0/-0.7	15.00±0.20	20.0+0/-0.8	12.10±0.40	30.10±0.60	9.20±0.30

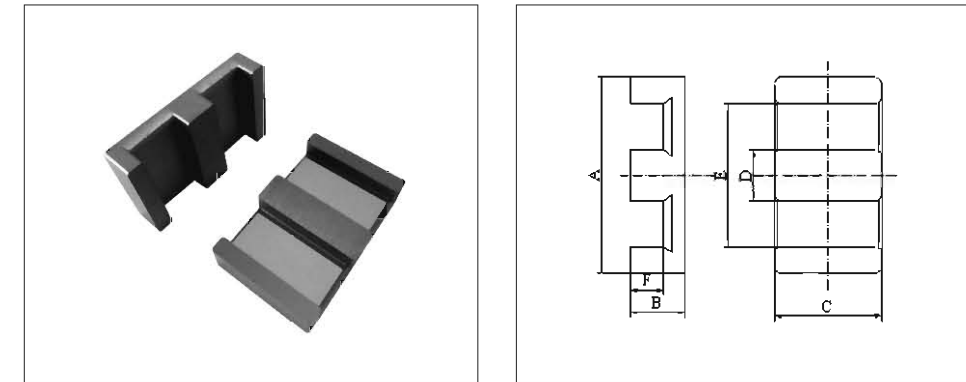


FIG.4

C1	Ae	Le	Amin	Ve	AL(±25%)				重量 g / PRS
					TP4	TP4A	TP4W	TPW33	
1.36	91.84	124.53	90.58	11436.40	1860	1930	2340	2540	55.75
0.83	84.12	70.00	79.98	5888.50	2680	2780	3300	3560	18.09
0.79	88.29	70.02	87.68	6182.30	2940	3040	3620	3900	31.60
0.18	285.54	52.59	260.00	15015.70	10900	11300	13300	14240	77.10
0.81	99.64	80.77	99.00	8047.50	2950	3050	3660	3950	40.80
0.79	113.68	89.61	100.00	10187.30	2730	2830	3400	3670	46.00
0.85	104.35	88.41	102.00	9225.10	2820	2920	3500	3790	47.70
0.68	119.25	81.06	111.94	9665.80	3300	3450	4130	4450	49.16
0.52	157.04	80.98	147.76	12716.50	4390	4550	5460	5880	66.00
0.67	80.28	54.27	78.40	4357.10	3200	3320	3920	4200	21.10
0.30	190.2	52.90	180.30	10066.30	7550	7800	9200	9830	51.31
0.52	148.23	77.13	136.89	11433.00	4240	4390	5250	5660	60.00
0.53	145.88	77.32	135.71	11279.30	4200	4350	5200	5600	60.00
0.69	141.28	96.79	136.89	13673.90	3500	3630	4380	4730	69.80
0.72	136.76	97.95	131.04	13395.10	3320	3440	4150	4480	68.80
0.67	145.54	97.34	135.72	14167.30	3450	3580	4320	4670	73.10
0.52	149.22	77.41	142.50	11551.40	4400	4560	5450	5870	59.30
0.30	174.72	51.79	169.86	9049.10	7230	7460	8800	9400	23.77
0.37	177.27	66.36	172.84	11762.80	6050	6260	7460	8000	60.40
0.42	176.6	73.49	171.35	12977.50	5520	5720	6830	7350	65.58
0.31	233.08	73.37	227.36	17101.50	7340	7600	9080	9770	87.00



FIG.1

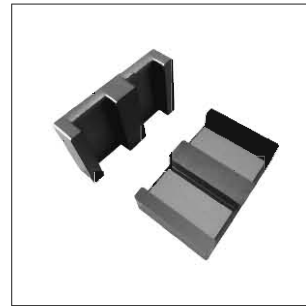
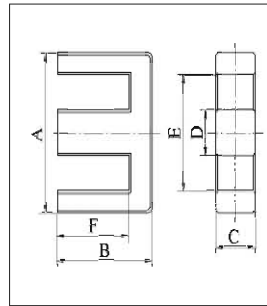


FIG.4

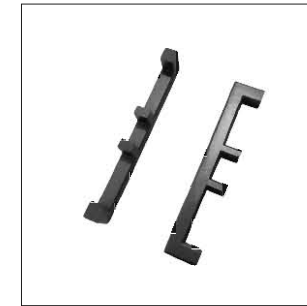
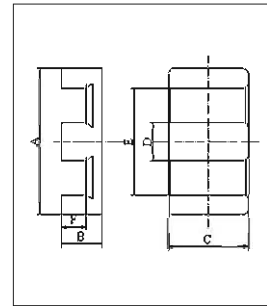
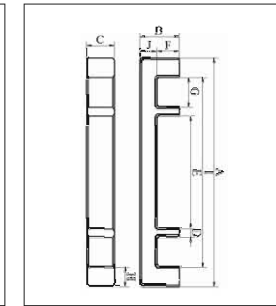


FIG.6



EE 型 / EE Core

型号 TYPE	图例 FIG.	尺寸 Dimensions (mm)					
		A	B	C	D	E	F
EE42/30/25C	1	42.00±0.70	15.10±0.15	25.00±0.50	12.10±0.30	30.1±0.7	9.20±0.15
EE42/42/15	1	42+1/-0.7	21.20±0.40	15+0.2/-0.4	12+0.2/-0.4	29.5min	15+0.4/-0.1
EE42/42/20A	1	42.0+1.0/-0.7	21.20±0.40	20.0+0.2/-0.5	12.0+0.2/-0.4	29.5min	15.0+0.4/-0.1
EE42/50.7/15B	1	42.00±0.70	25.35±0.20	15+0.2/-0.25	12.15+0/-0.5	29.5+1.2/-0	19.35±0.20
EE42/65.6/20	1	42+1/-0.7	32.8+0/-0.4	20+0/-0.8	12.2+0/-0.5	29.5+1.4/-0	26+1/-0
EE42/48/15	1	42.1+1/-0.7	24.20±0.40	15+0.2/-0.4	12+0.2/-0.4	29.5min	18+0.4/-0.1
EE43/29/28A	4	43.18±0.51	14.50±0.20	27.90±0.38	8.13±0.20	34.7min	10.50±0.20
EE43/19/28	4	43.20±0.60	9.55±0.30	27.90±0.40	8.15±0.30	34.4min	5.70±0.30
EE44/38/15	1	44.00±0.60	37.60±0.40双	15.00±0.25	11.7±0.25	31min	23.60±0.40双
EE45.4/14.2/5A	6	45.4+0.3/-0.5	7.10±0.15	5.00±0.20	1.7±0.15	22.5+0.2/-0.4	4.00±0.15
EE51/60/24B	1	50.60±0.50	30+0.3/-0.1	23.80±0.30	15.00±0.30	35.8min	22.9+0.3/-0.1
EE55/55/21A	1	55.15±1.05	27.50±0.30	21+0/-0.8	16.95±0.25	37.5min	18.80±0.30
EE55/55/25A	1	55.15±1.05	27.50±0.30	24.60±0.40	16.95±0.25	37.5min	18.80±0.30
EE56.1/47.2/18.8	1	56.10±10	23.60±0.25	18.8±0.25	18.80±0.25	38.1min	14.60±0.20
EE57/55/21	1	56.55±10	27.50±0.30	21+0/-0.8	17.2+0/-0.5	39.2+1.5/-0	18.5+0.8/-0
EE58.4/19/38.1	1	58.40±1.20	9.50±0.20	38.10±0.80	8.10±0.20	50min	5.50±0.15
EE64/20/51B	1	64.00±0.76	9.78±0.15	50.80±0.64	10.16±0.25	52.9min	4.70±0.25
EE65/65/20	1	65+0/-3	32.50±0.30	20.0+0/-1.4	20.0+0/-1.4	43min	23.5+1.2/-0
EE65/65/27A	1	65.20±1.30	32.50±0.30	27.4+0/-1.0	19.65±0.35	44.2min	22.55±0.35
EE65.7/24.5/50.8A	1	65.70±1.20	12.25±0.13	50.80±0.90	12.00±0.25	54.10±1.00	
EE66/65/27B	1	66.00±1.00	32.8+0/-0.6	27.5+0/-1	20+0/-0.7	46min	22.2+0.6/-0

C1	Ae	Le	Amin	Ve	AL(±25%)				重量 g /PRS
					TP4	TP4A	TP4W	TPW33	
0.25	298.08	73.48	295.00	21904.10	9500	9850	11770	12670	112.30
0.55	176.76	97.93	173.58	17310.50	4400	4560	5500	5940	87.15
0.42	235.49	97.93	231.25	23062.00	5860	6070	7330	7900	117.41
0.64	178.33	114.40	177.51	20400.60	3930	4080	4940	5350	103.00
0.61	235.94	143.25	234.22	33798.20	4240	4400	5370	5840	166.69
0.62	177.00	110.00	175.00	19461.00	4000	4170	5040	5450	104.00
0.36	224.00	81.68	222.36	18296.50	6570	6800	8160	8800	88.29
0.28	220.71	62.08	214.83	13700.60	7940	8200	9740	10450	69.37
0.46	189.20	87.19	175.50	16496.50	4900	5090	6100	6600	94.50
2.10	26.27	55.31	17.00	1452.90	690	710	840	900	4.22
0.39	345.74	135.89	337.96	46982.30	6420	6680	8120	8800	235.44
0.35	349.02	123.61	341.96	43141.00	7070	7350	8900	9660	262.79
0.30	416.80	123.61	408.36	51521.10	8440	8770	10650	11540	263.67
0.32	336.13	106.73	319.60	35874.10	7500	7800	9430	10200	184.60
0.36	347.99	125.26	341.96	43589.90	7000	7260	8800	9550	215.00
0.26	299.05	77.27	274.32	23105.96	8500	8790	10500	11300	112.00
0.15	517.66	78.33	516.13	40546.80	15700	16300	19500	21100	213.39
0.41	365.31	148.21	324.24	54141.90	5700	5900	7220	7840	268.35
0.28	530.94	147.13	528.58	78116.10	9350	9700	11850	12800	395.02
0.14	599.34	86.03	589.28	51560.60	16600	17200	20700	22400	258.76
0.28	526.65	148.18	513.00	78037.90	9000	9300	11400	12400	390.00

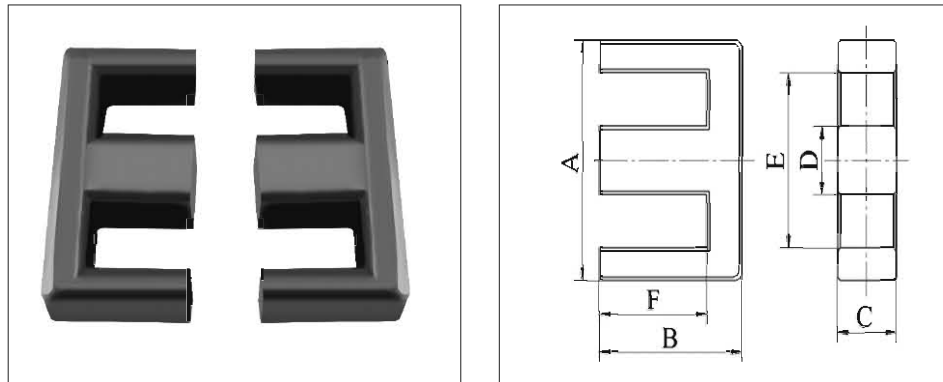


FIG.1

EE 型 / EE Core

型号 TYPE	图例 FIG.	尺寸 Dimensions (mm)					
		A	B	C	D	E	F
EE70/66/32	1	70.50±1.00	33.2+0/-0.5	32+0/-0.8	22+0/-0.7	48+1.5/-0	21.9+0.7/-0
EE80/76/20	1	80.00±1.60	38.10±0.30	19.80±0.40	19.80±0.40	59.1min	28.20±0.3
EE16.4/18.5/4.5	1	16.35±0.40	9.25±0.20	4.50±0.20	4.50±0.20	11.4min	7.05±0.20
EE25/26/7	1	25.05±0.75	12.55±0.25	7.20±0.30	7.25±0.25	17.9±0.4	8.95±0.25

C1	Ae	Le	Amin	Ve	AL(±25%)				重量 g /PRS
					TP4	TP4A	TP4W	TPW33	
0.22	683.00	150.00	676.00	102391.00	11700	12200	14900	16100	521.23
0.47	393.40	184.18	392.04	72454.80	5650	5880	7200	7840	360.00
3.10	20.21	42.50	19.80	859.00	970	1000	1170	1250	4.31
1.11	51.84	57.76	51.48	2994.20	2000	2080	2460	2640	15.40